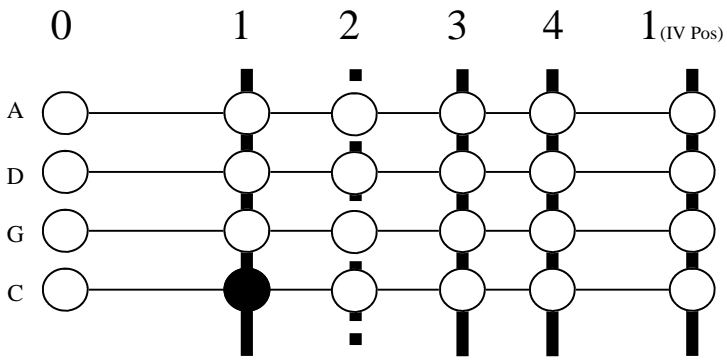
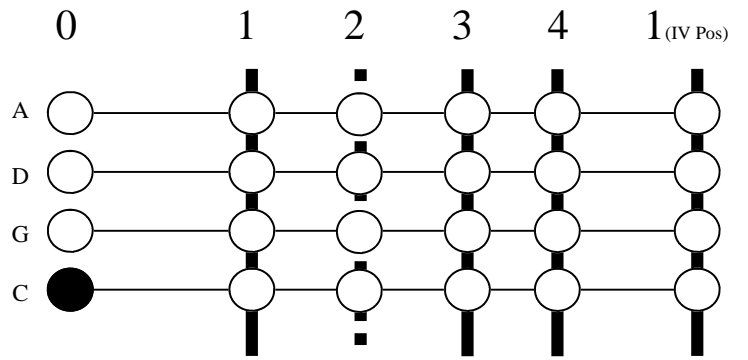


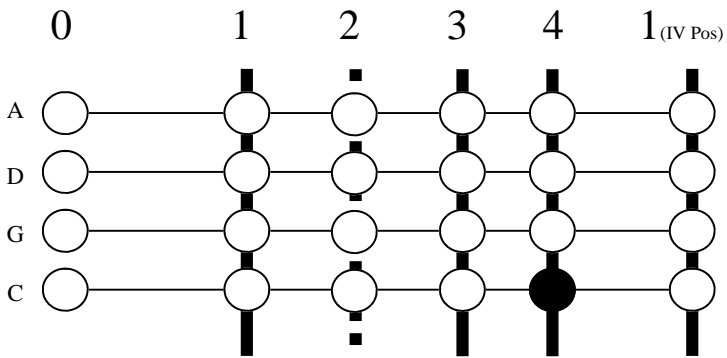
Note: D
Finger: 1



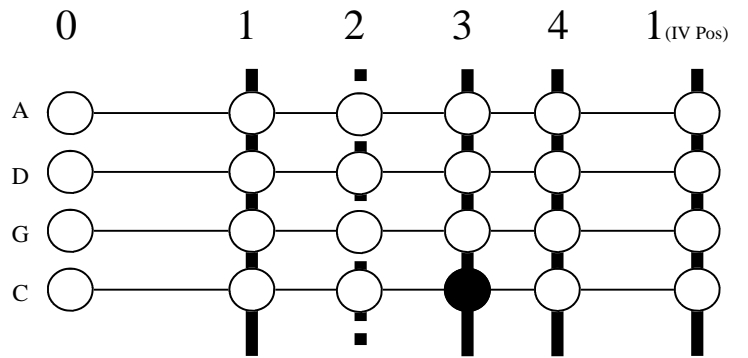
Note: C
Finger: 0



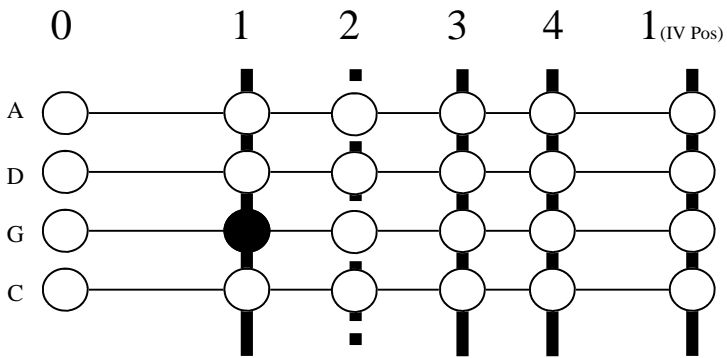
Note: F
Finger: 4



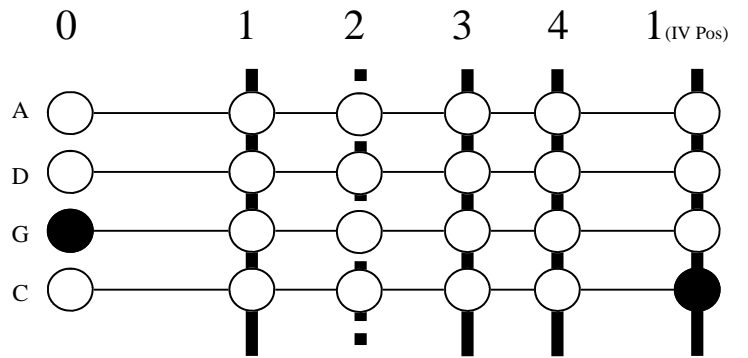
Note: E
Finger: 3



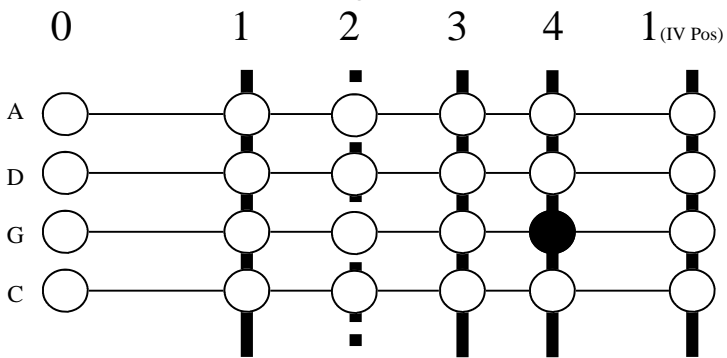
Note: A
Finger: 1



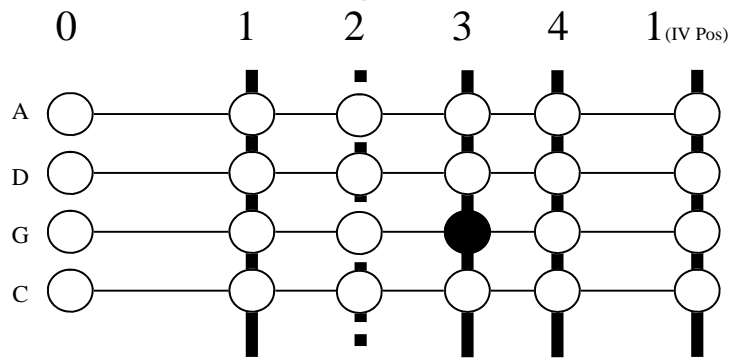
Note: G
Finger: 0 or 1 (IV position)

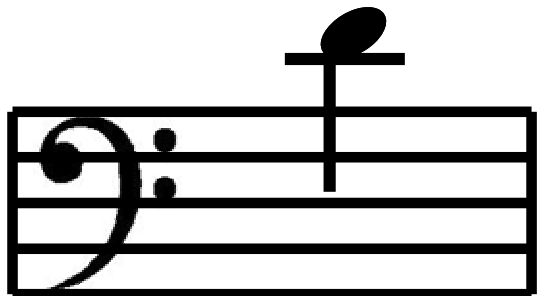
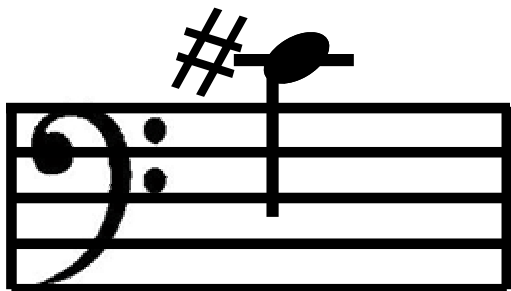
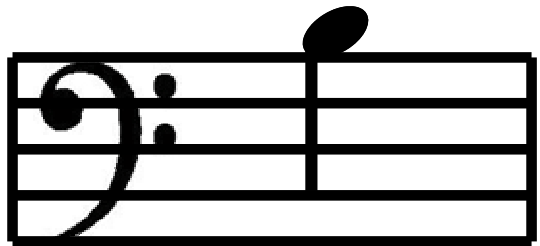
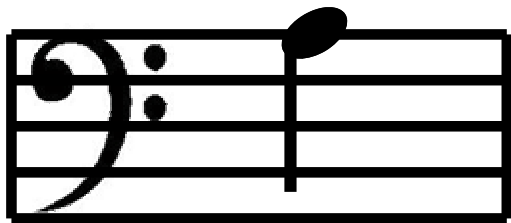
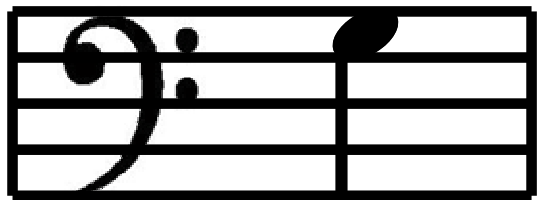
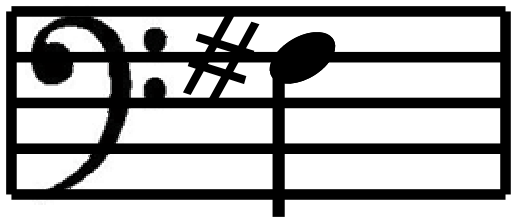
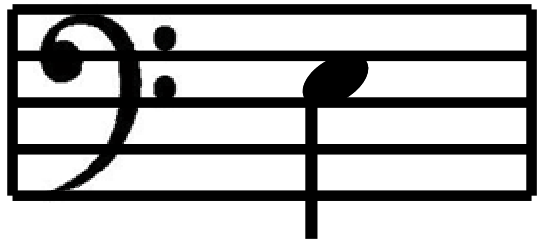
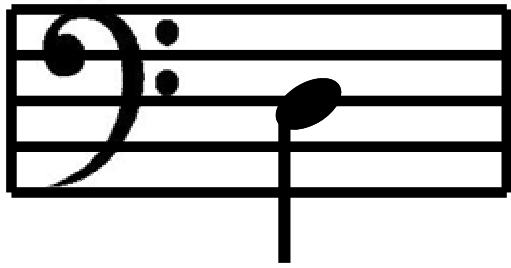


Note: C
Finger: 4

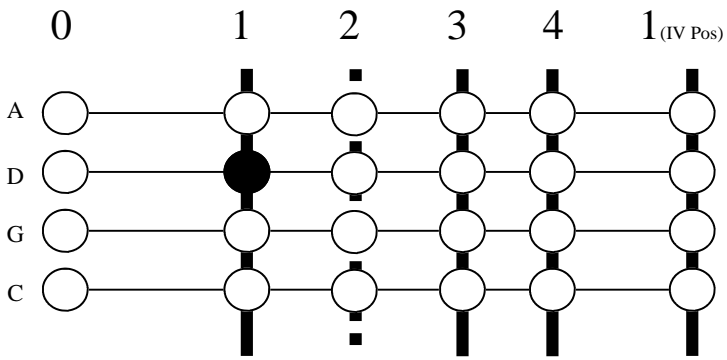


Note: B
Finger: 3

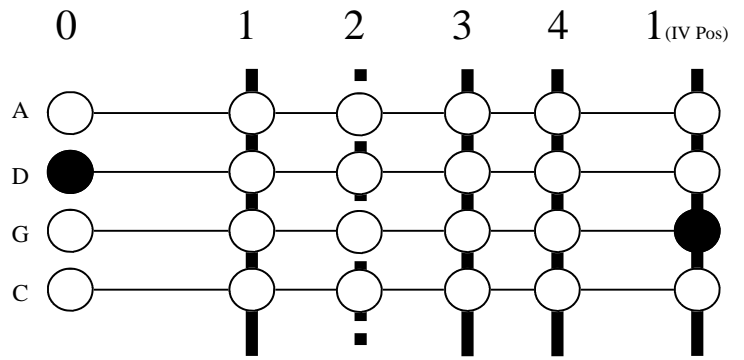




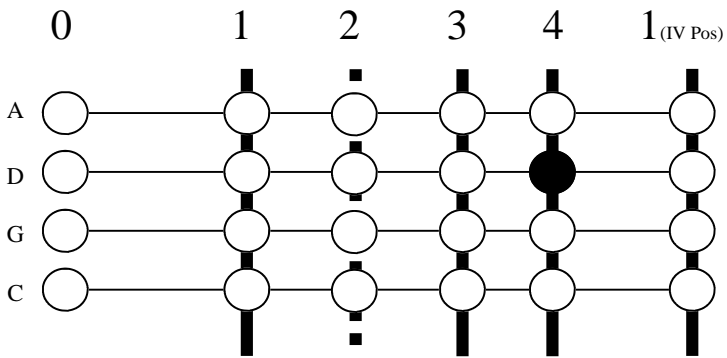
Note: E
Finger: 1



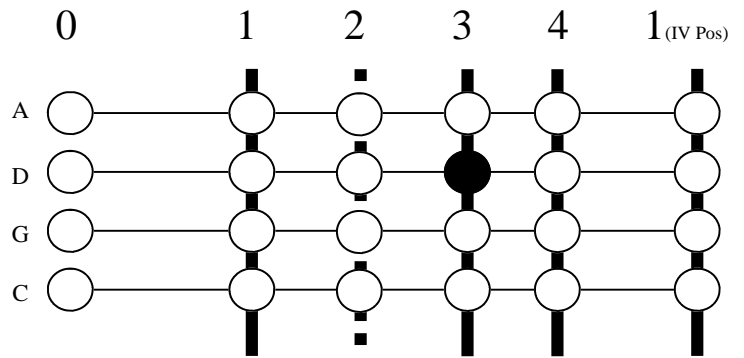
Note: D
Finger: 0 or 1 (IV position)



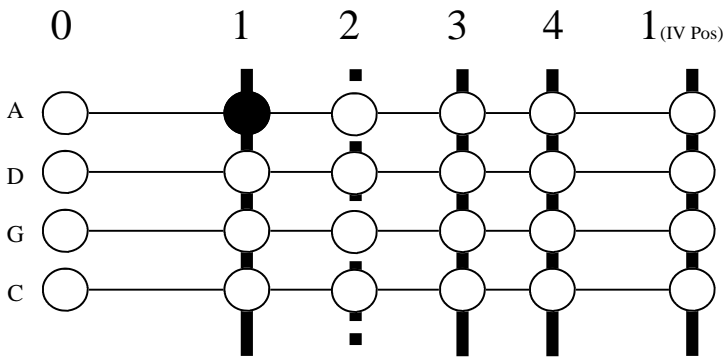
Note: G
Finger: 4



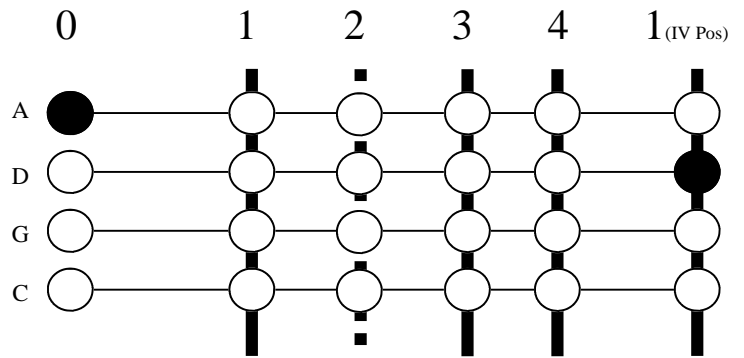
Note: F-Sharp (Fis)
Finger: 3



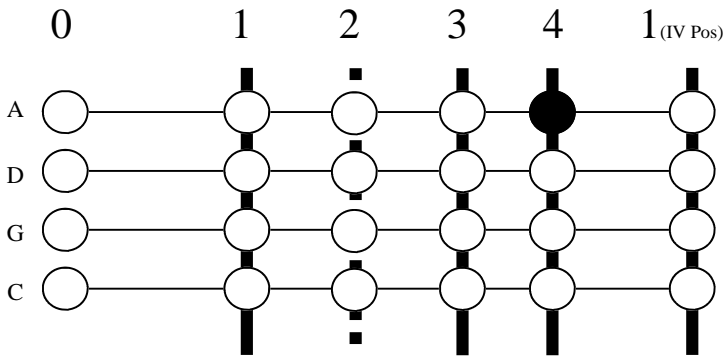
Note: B
Finger: 1



Note: A
Finger: 0 or 1 (IV position)



Note: D
Finger: 4



Note: C-Sharp (Cis)
Finger: 3

