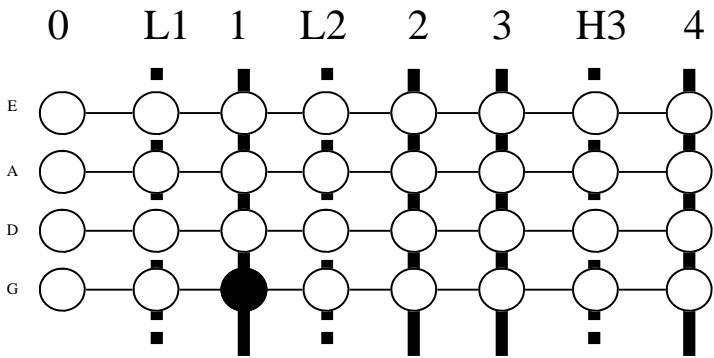
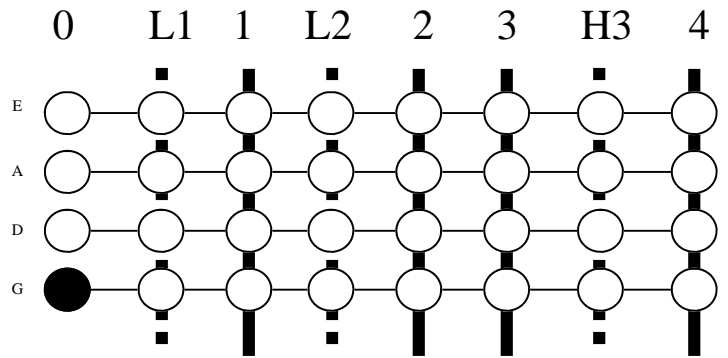


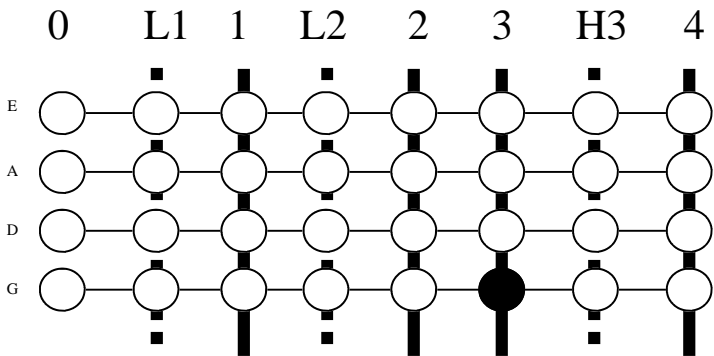
Note: A
Finger: 1



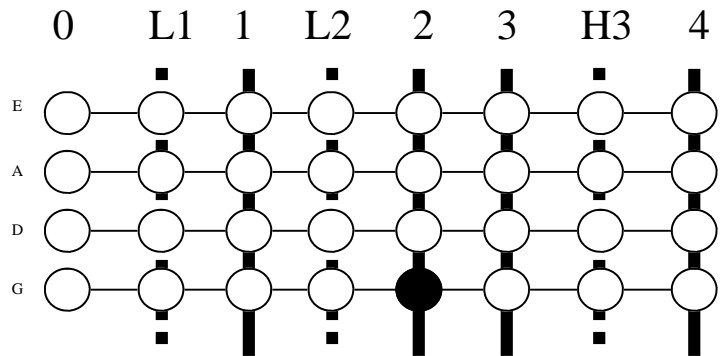
Note: G
Finger: 0



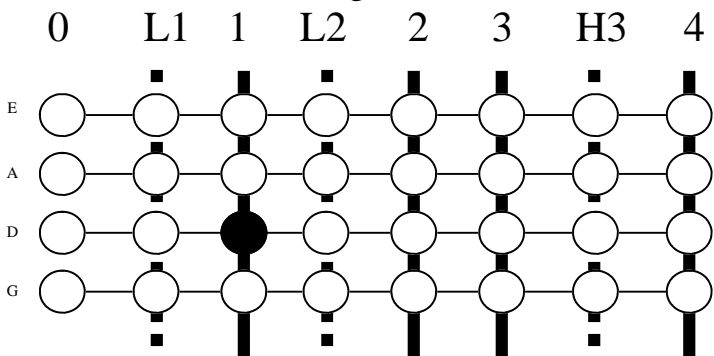
Note: C
Finger: 3



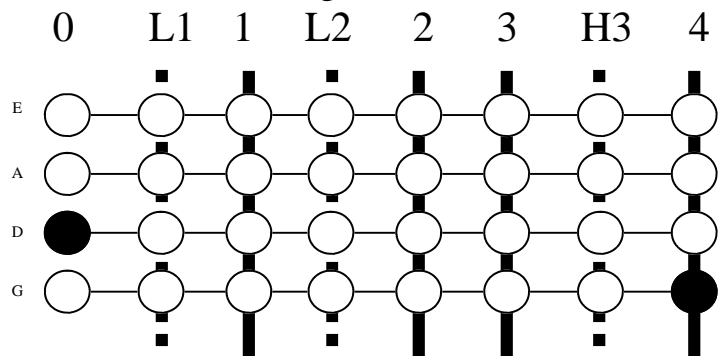
Note: B
Finger: 2



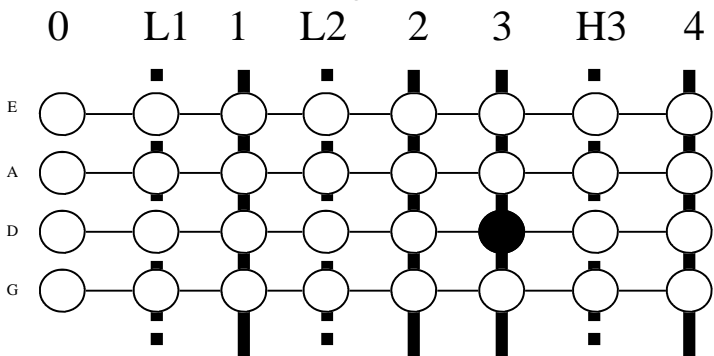
Note: E
Finger: 1



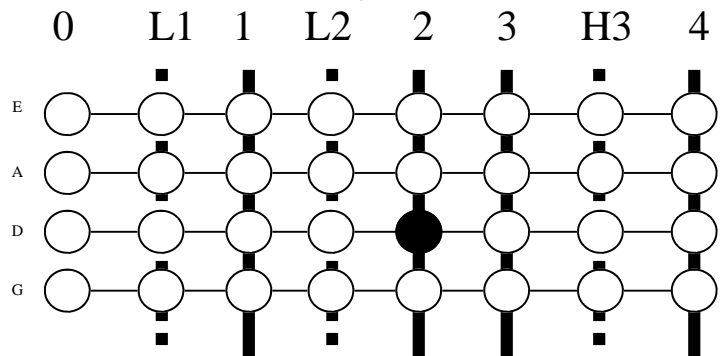
Note: D
Finger: 0 or 4

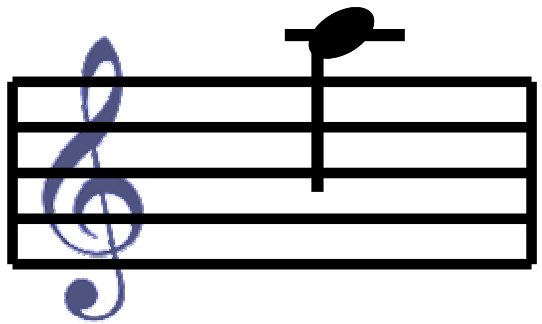
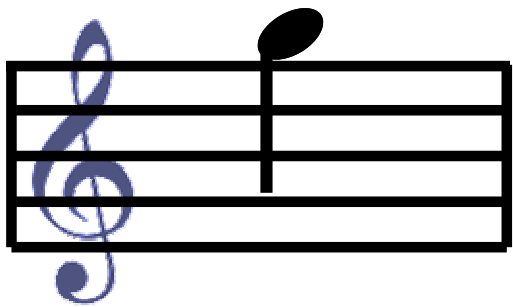
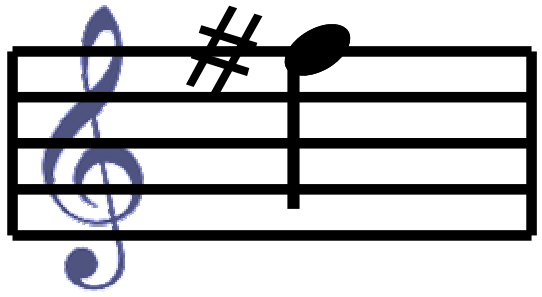
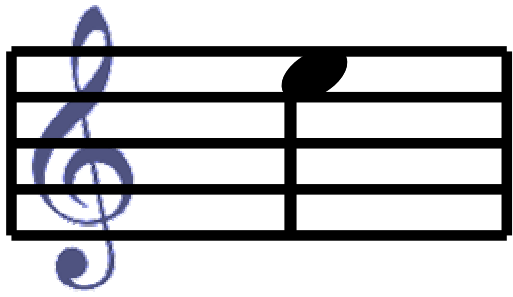
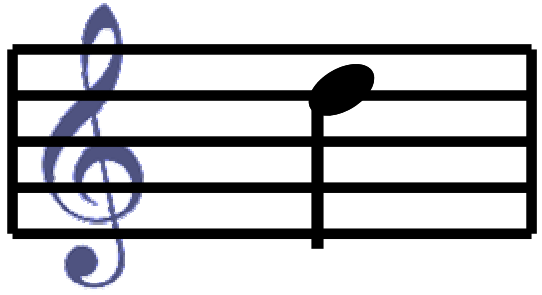
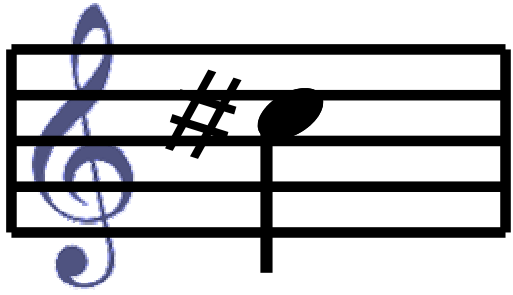
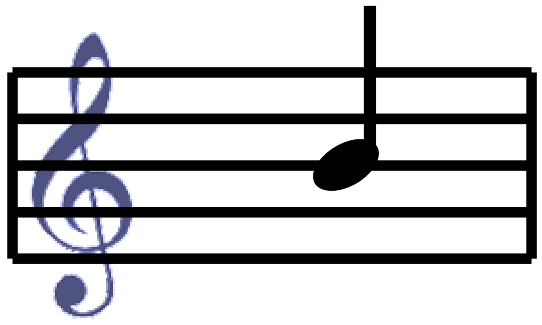
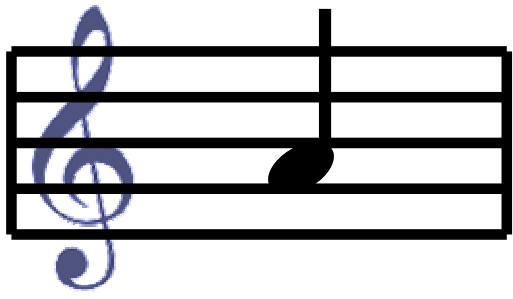


Note: G
Finger: 3

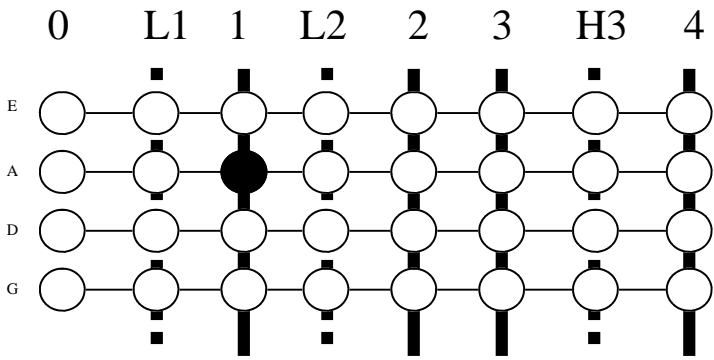


Note: F-Sharp (Fis)
Finger: 2

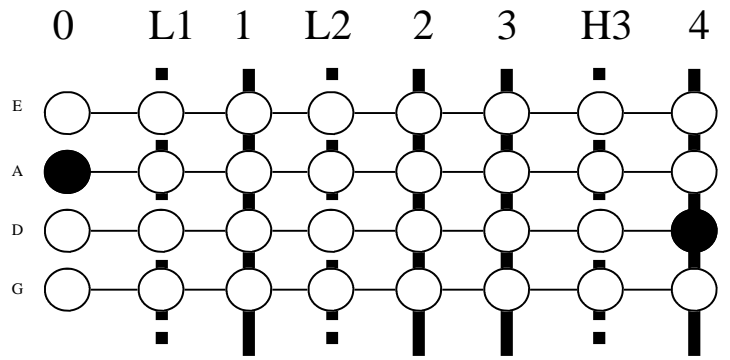




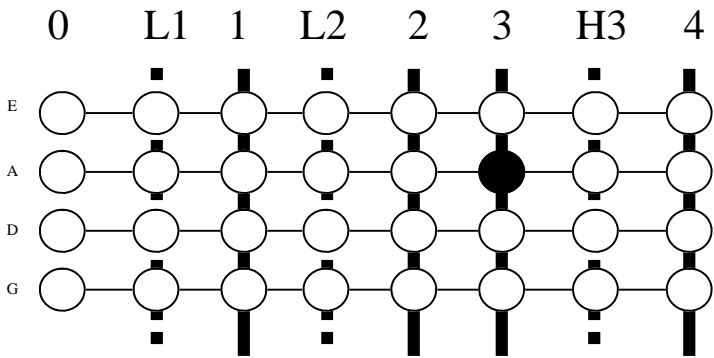
Note: B
Finger: 1



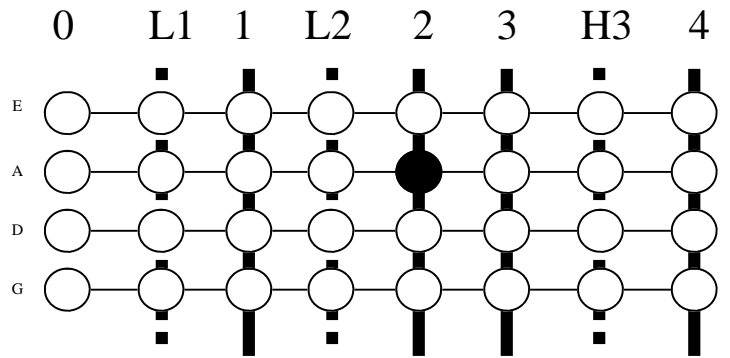
Note: A
Finger: 0 or 4



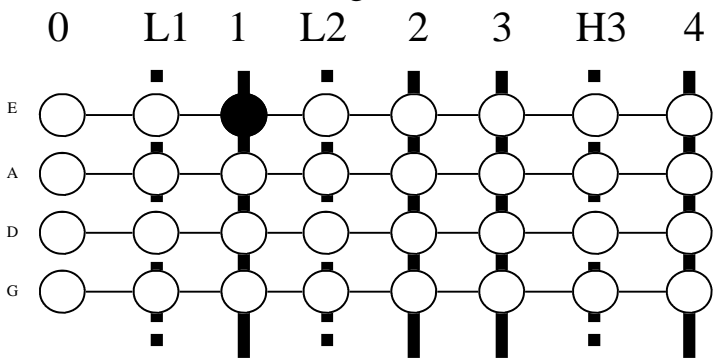
Note: D
Finger: 3



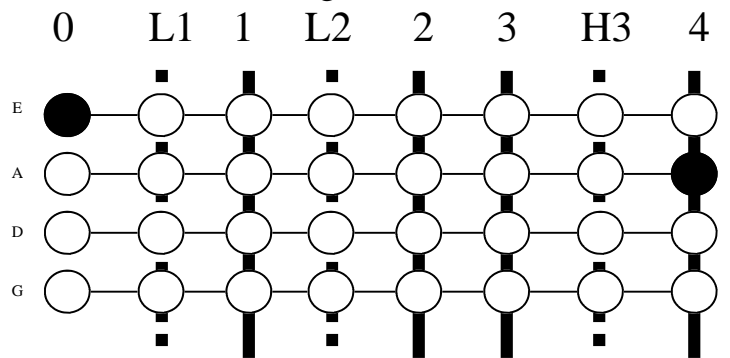
Note: C-Sharp (Cis)
Finger: 2



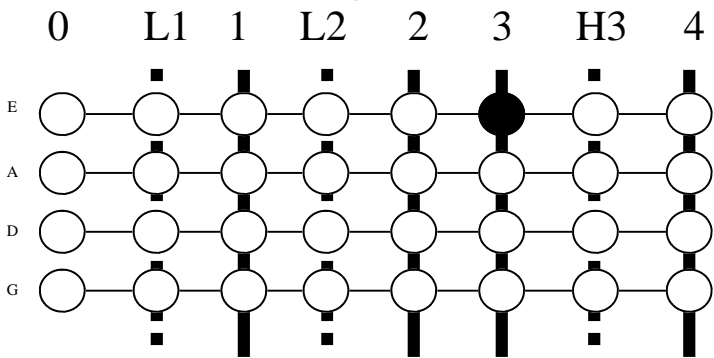
Note: F-Sharp (Fis)
Finger: 1



Note: E
Finger: 0 or 4



Note: A
Finger: 3



Note: G
Finger: L2

